

## Specification and scope of supply of Opti-Scan 800.35

Description	Specification/scope of supply
Max Single scan area <sup>1&amp;2</sup> Max Single scan depth* <sup>1,2&amp;3</sup>	800mm (X) x 500mm (Y) 500mm (Z)
Volumetric accuracy** Repeatability** Point Spacing Scanning speed*** Scanning time*** Processing time****	70 microns 35 microns Better than 170 microns > 250,000 points per second. < 10 seconds < 5 seconds
Peripheral equipment Recommended Operating System Software included:	USB lighting controller, Standard Computer Interface Windows 10 64bit 3D scanning, automated repositioning, texture map acquisition, 3D color rendering, creation of cross-sections, creation of 3D edges, reverse engineering of 3D edges to DXF/DWG, comparison of 3D edges to DXF/DWG, reverse projection of colored deviation reports onto part, creation of 3D point clouds in PLY, STL, VRML, ASCII formats, creation of texture mapped point clouds, calibration software.
Free 3D Inspection Software:	Fully compatible with off the shelf free 3D inspection software. Functionality includes comparison to 3D solid models, dimensioning, GD&T, cross-sections, full surface deviation inspection, merging of scans, customizable reports, automatic alignment of scan to CAD, point cloud meshing, processing and filtering, extraction of nominal data from CAD model, comparison of 2 scans.
Advanced 3D inspection software option (Geomagic Control)	Available on request. Comparison to 3D solid models, GD&T, SPC, cross-sections, full surface and edge inspection, creation of report templates, automated merging of point clouds, automatic alignment of scan to CAD, automatic point cloud processing and filtering, automatic detection or repositioning spheres, macro creation for full automation, automatic extraction of nominal data from CAD model, comparison of 2 scans.
3D reverse engineering (advanced package)	Available on request. Creation of 3D solid models from scan data.
Calibration Kit Accuracy Verification Object	Included as standard, retro-reflective reference markers mounted onto steel plate with repositioning frame Included as standard, calibrated ball bar
OptiScan construction OptiScan enclosure Repositioning markers Optional light table Automated turn-table maximum load (UDL) Camera Projection source Data cables	Heavy duty aluminium tripod, dolly base. Camera and projector assemblies mounted on floating carbon fibre chassis ABS Carbon fibre effect Set of 24 loose magnetic photogrammetric markers to allow repositioning Optional light table for improved edge measuring accuracy. Manual or automatic component repositioning disc options 50kg >20 megapixels LED/laser projector. HDMI and USB3
Air Supply Air supply hose Air flow Air pressure Air quality	The air supply for the air bearing can come from a small compressor if no factory air supply is available. The compressor should have a minimum receiver capacity of 24 litres. The air supply hose should be 3/8 inch bore to be a push fit onto a brass tail pipe connection. Air flow – 4.5 to 5.0 CFM @ 100psi FAD (Free Air Delivery) Air pressure input range – 110psi to 140psi (approx 7.5 to 8 bar). Air quality – clean, dry, oil-free air.
Power supply Power consumption	110-240V 50/60Hz 1.5 Amp maximum at 230 Volt, 3 Amp max at 110 Volt.
EC directives Paint colour (powder paint) Ambient operating conditions	Compliant with Machinery, Low voltage and EMC Directives. Tripod and Dolly RAL 9005: Black 5-35 degree C
Available configurations	LM = Light Table Manual Repositioning disc or tripod
Approx Footprint width/ depth/ height/ weight Approx Footprint width/ depth/ height/ weight Standard packing	1124mm (W) x 791mm (D) x 1574mm (H) <45kgs (Tripod) 2194mm (W) x 1176mm (D) x 2005mm (H) <960 kgs (LM ) Export crates suitable for sea shipping
Warranty Optional extended warranty Software support option	One year limited warranty on hardware and software Two or three year extended warranty (requires software upgrade option) Annual support contract provides free software upgrades

1 Larger parts can be measured with multiple scans

2 Other sizes are available on request, exact dimensions may vary by slightly depending on setup.

3 Other accuracies are available on request

\*Actual scanning range will be significantly larger, however measurements outside of this range may have additional noise.

\*\*Accuracy achieved by measuring a reference object at various locations within the measuring volume, contact InspecVision for further details.

\*\*\*Time taken to measure a typical component. Results may vary depending on part measured or speed of computer

\*\*\*\*Time taken to process the measurements of a typical component. Results may vary depending on part measured or speed of computer.

Actual measuring accuracies achieved will depend on operating environment, user input, quality and condition of materials

Due to our policy of continuous improvement specifications are subject to change without notice, please contact factory or your InspecVision dealer



+52 (81) 8625 9815

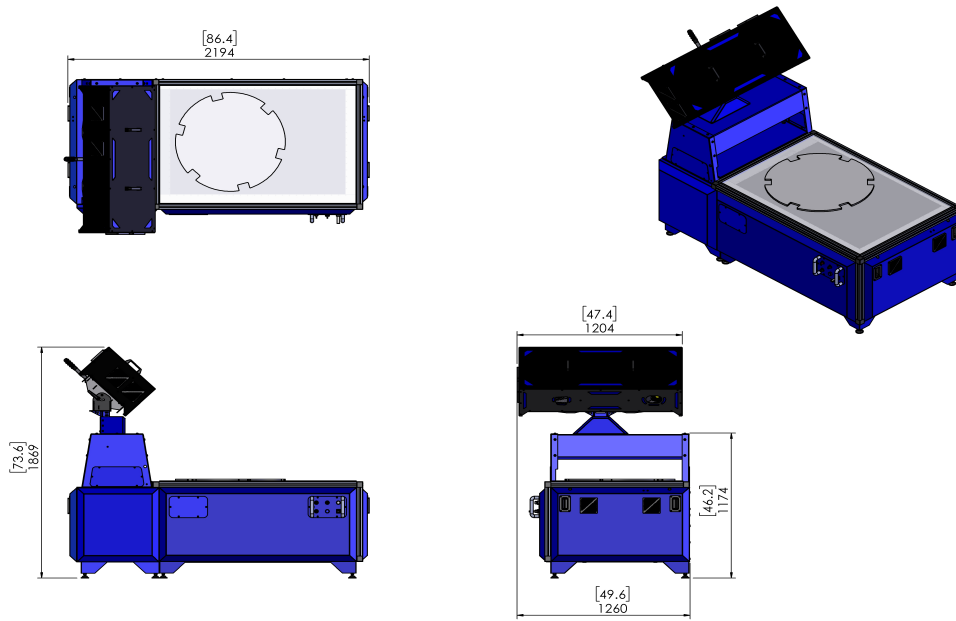
info@camconnection.com

www.camconnection.com

InspecVision Showrook  
Av. Rogelio González Caballero  
100, Local 12, Parque Industrial  
Stivia, 66600 cd. Apodaca, N.L

## Opti-Scan 800.35 LM Schematic

DIMENSIONS IN BRACKETS ARE IN INCHES  
OS.800.35  
AVAILABLE MODELS:  
-OS.800 LM MANUAL OPERATION  
-OS.800 LA AUTOMATIC OPERATION



## Standalone Opti-Scan 800.35 Schematic

